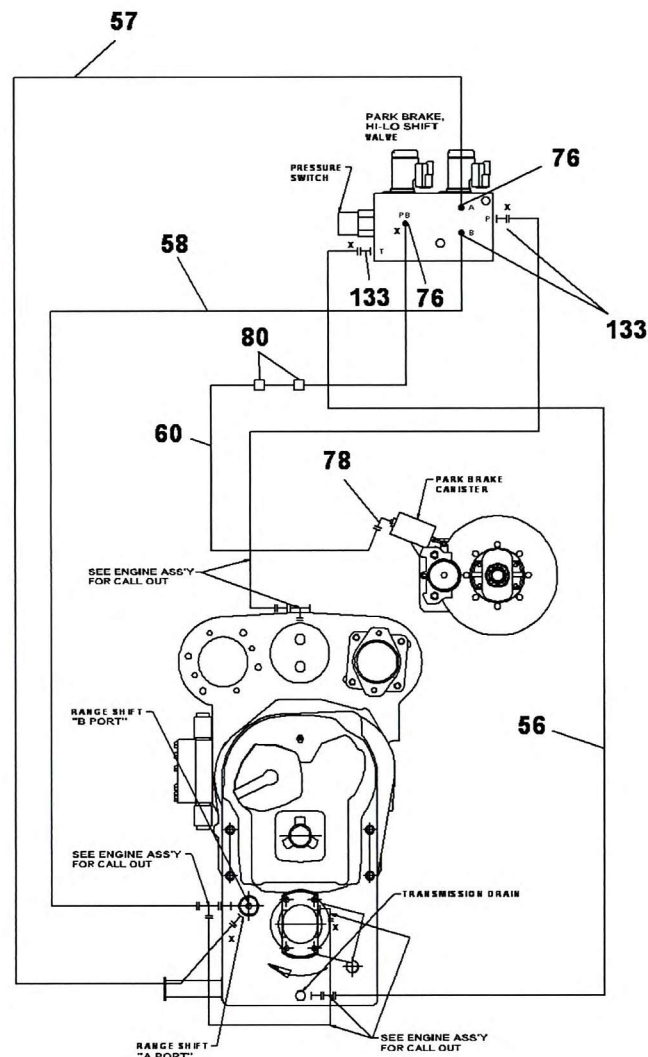
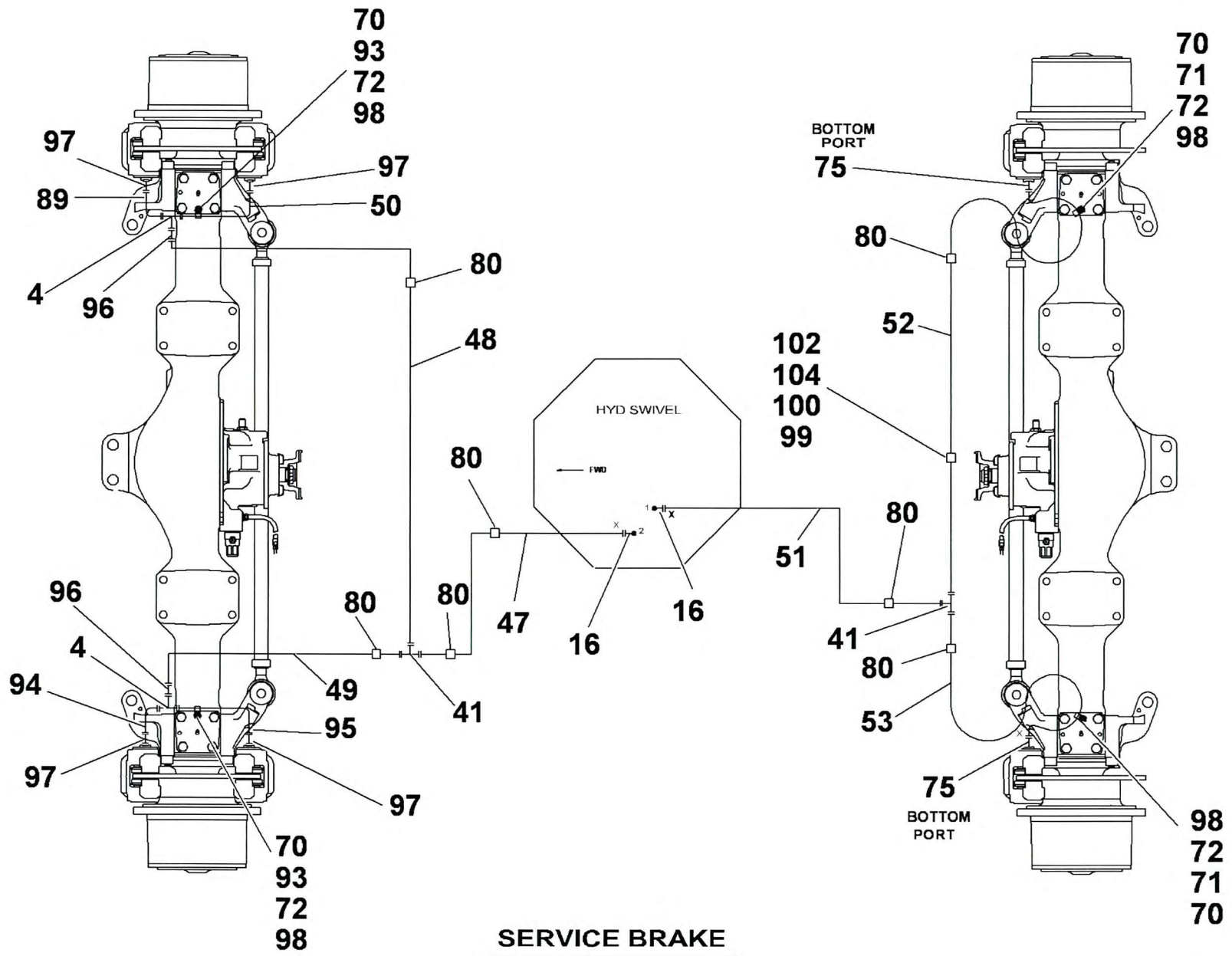


DIFFERENTIAL LOCK

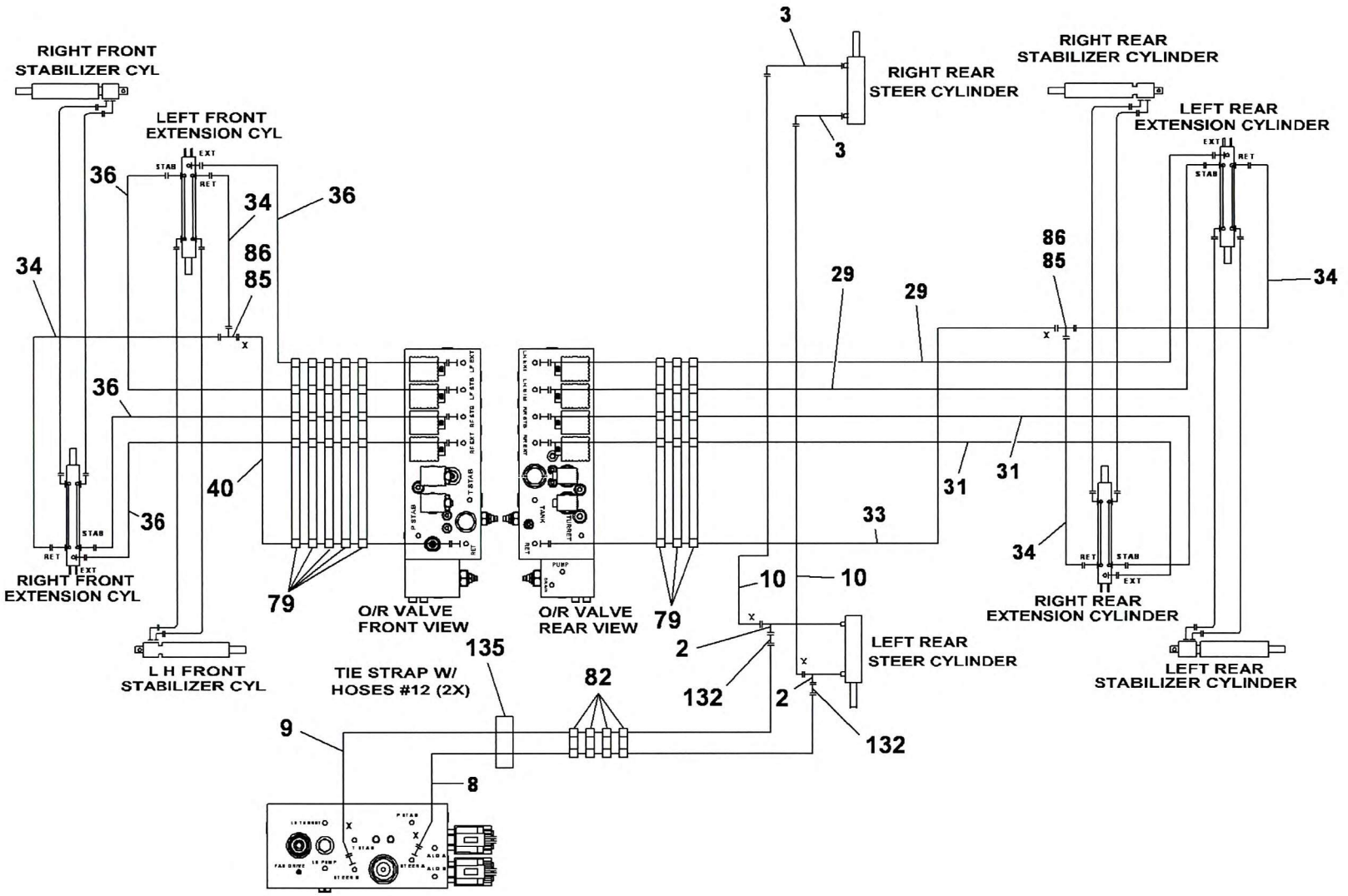
OPTION

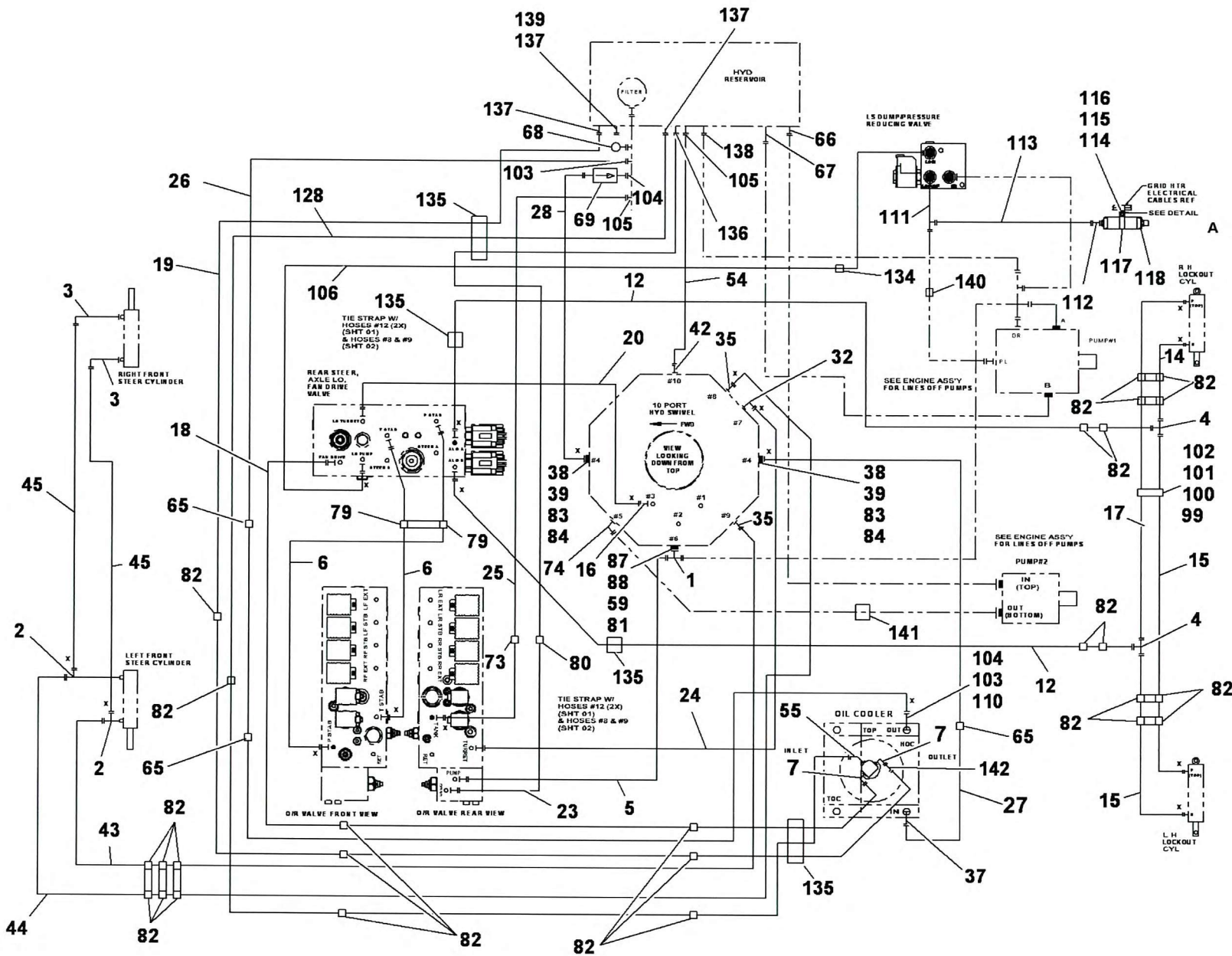


AXLE DISCONNECT AND PARK BRAKE



SERVICE BRAKE





80024186

(SHEET 1 OF 5)

Page 762